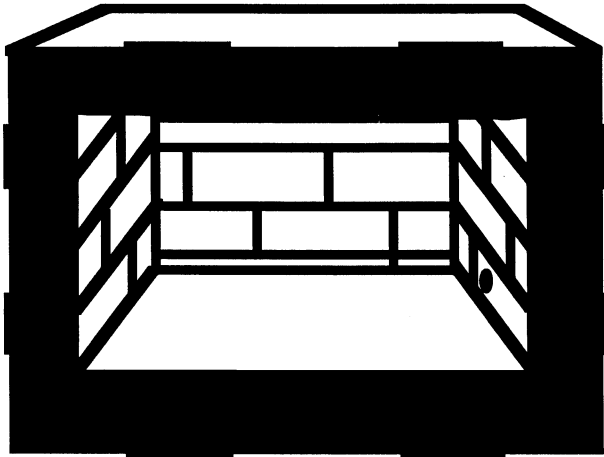




**INSTALLATION AND OPERATING  
INSTRUCTIONS  
FOR GOLDEN BLOUNT MEGA-FIRE VENT-FREE GAS  
FIREPLACE**



**This is a vent-free fireplace approved for use only with Golden Blount vent-free gas log sets. Do not use gas log sets not manufactured by Golden Blount.**

**NOTE!: Operation Instructions supplied with Golden Blount vent-free gas log sets must be followed for safe operation.**

**CAUTION!: Do not install glass doors on this fireplace.**

MFG. BY

*Golden Blount*

4301 Westgrove Drive  
Addison, TX. 75001

**WARNING:** If the information in this manual is not followed exactly, a fire or explosion may result causing property damage, personal injury, or loss of life.

- \* Do not store or use gasoline or other flammable vapors or liquids in the vicinity of this or any other appliance.
- \* What to do if you smell gas:

-Do not try to light any appliance.

-Do not touch any electrical switch; do not use any phone in your building.

-Immediately call your gas supplier from a neighbor's phone. Follow the gas supplier's instructions.

-If you cannot reach your gas supplier, call a fire department.

-Installation and service must be performed by a qualified installer, service agency or the gas supplier.

**This is an unvented gas-fired heater. It uses air (oxygen) from the room in which it is installed. Provisions for adequate combustion and ventilation air must be provided.**

## IMPORTANT INFORMATION

Study these instructions carefully before beginning the installation of this firebox. These instructions contain information to be used as a guide during the installation and use of this firebox. It is not possible to adequately define all installation and use circumstances in this manual. Local codes and ordinances governing gas-fired equipment must be followed, and in the absence of local codes, the installation and use must be according to the American National Fuel Gas Code Z223.1 latest edition.

## BUILDING CODES AND SAFETY STANDARDS

The design of this FIREPLACE ACCESSORY has been tested and is listed with THE AMERICAN GAS ASSOCIATION in accordance with THE AMERICAN NATIONAL STANDARDS INSTITUTE - ANSI Z21.11.2, A.G.A. Test Report No. C2395001, C2395002, L2676002.

This manual serves only as a basic guideline for installation and use of this firebox and gas piping. The complete installation must be in accordance with local codes and ordinances, or, in the absence of local codes, with the American National Standards Institute National Fuel Gas Code Z223.1 latest edition.

## SELECTING THE LOCATION FOR THE HEATER

- \* This unvented gas fireplace accessory may be installed at 0" clearance to combustibles at the bottom, back, sides, and top.
- \* Install only Golden Blount unvented gas log appliances in this firebox as specified on the listing and identification label. The gas logs listed for use in this fireplace accessory have a BTU input rating no greater than 40,000 btu/hr. Instructions and operational information supplied with the gas log appliance must be used for safe and proper installation of these products.
- \* This fireplace accessory may be installed in a variety of locations within a home as illustrated in Figure 2.
- \* It is imperative that adequate clearances around air openings into and away from this firebox be maintained. To ensure these clearances, do not place any object closer than 24 inches directly in front of the firebox. Do not block any openings in the firebox.

## GAS PIPING AND GAS PRESSURE REQUIREMENTS

All gas piping must be installed to comply with local codes, or, in the absence of local codes, with the latest edition of the National Fuel Gas Code ANSI Z223.1.

Unions in gas line shall be of ground joint type. Compounds used on threaded joints of gas piping must be resistant to the action of liquefied petroleum gas.

Gas piping must be of sufficient size to provide a minimum natural gas pressure at the appliance of 7" water column or 11' for L.P. gases. The maximum inlet gas pressure to the unit must not exceed 10" for natural gas, and 13" for LP gases. If this unit is to be supplied with LP gas (bottled propane) the tank or bottle supplying the gas must have a regulator that reduces the gas pressure to between 11 and 13 inches water column. The control will not operate with gas line pressure directly from the tank and may leak gas due to this excessive pressure.

***DANGER: OPERATION OF THIS UNIT ON LP GAS WITHOUT AN APPROVED REGULATOR AT THE SUPPLY CONTAINER WILL LEAD TO GAS LEAKS AT THE CONTROL WITH POSSIBLE FIRE OR EXPLOSION.***

Include a manual shut-off valve and union in the line so the control or heater may be disconnected for servicing. Include a drip leg and a plugged 1/8" N.P.T. tapping into the line also. The tapping must be accessible for the test gauge connection immediately upstream of the gas supply connection to the unit.

Use a soap and water solution or liquid gas leak detector to coat each joint in the piping system and look for bubbles which indicate gas leaks. Repair all gas leaks.

***CAUTION: THE UNIT AND ITS INDIVIDUAL SHUT-OFF VALVE MUST BE DISCONNECTED FROM THE GAS SUPPLY PIPING SYSTEM DURING PRESSURE TESTING OF THAT SYSTEM AT TEST PRESSURES IN EXCESS OF 1/2 PSIG. THE UNIT MUST BE ISOLATED FROM THE GAS SUPPLY PIPING SYSTEM BY CLOSING IT'S INDIVIDUAL MANUAL SHUT-OFF VALVE DURING ANY PRESSURE TESTING OF THE GAS SUPPLY PIPING SYSTEM AT TEST PRESSURES EQUAL TO OR LESS THAN 1/2 PSIG. PRESSURES IN EXCESS OF 1/2 PSIG WILL CAUSE DAMAGE TO THE CONTROL VALVE AND MAY CAUSE DAMAGE TO THE SHUT-OFF VALVE.***

***DANGER: DO NOT USE CANDLES, MATCHES OR OTHER IGNITION SOURCES WHEN CHECKING FOR LEAKS. FUEL GASES ARE VERY FLAMMABLE AND, IN CERTAIN CONCENTRATIONS, EXPLOSIVE. CHECKING FOR LEAKS WITH A OPEN FLAME MAY LEAD TO FIRE OR EXPLOSION.***

# COMBUSTION AIR REQUIREMENTS

All unvented gas-fired room heaters require air (oxygen) from the room for combustion and exhaust their combustion product into the area being heated. There is no venting system to the outside to remove combustion product and help outside (fresh) air enter the room. It is necessary for safe operation of this unit that provisions be made to supply fresh air to this fire box when it is operating. A minimum fresh air opening of one square inch per 1000 btu/hr. of heater input is required to provide the required fresh air. This can be accomplished by providing a permanent opening through the wall or through the floor, if the crawl space is ventilated, or by opening a window enough to provide the required area.

FIGURE 1

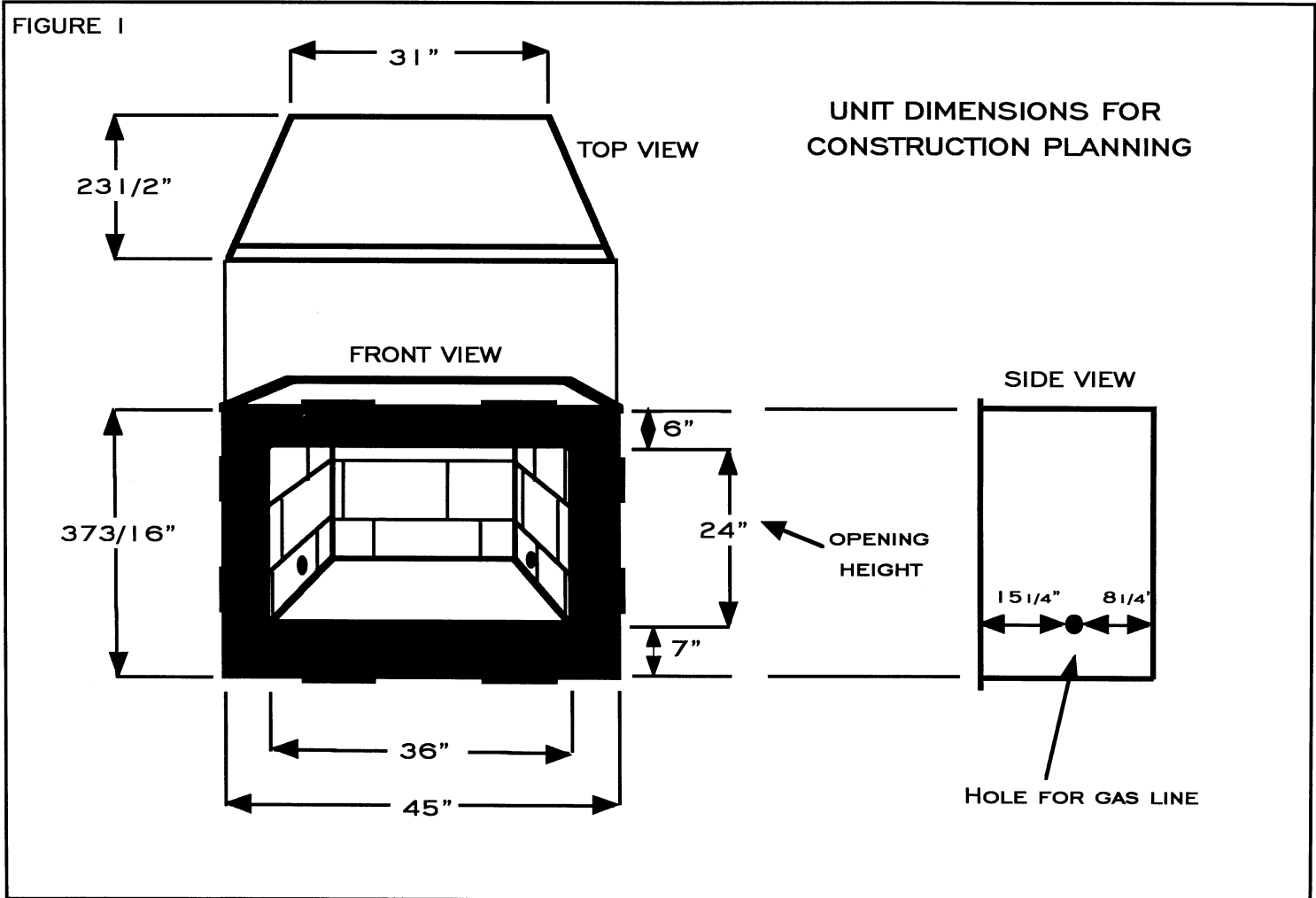
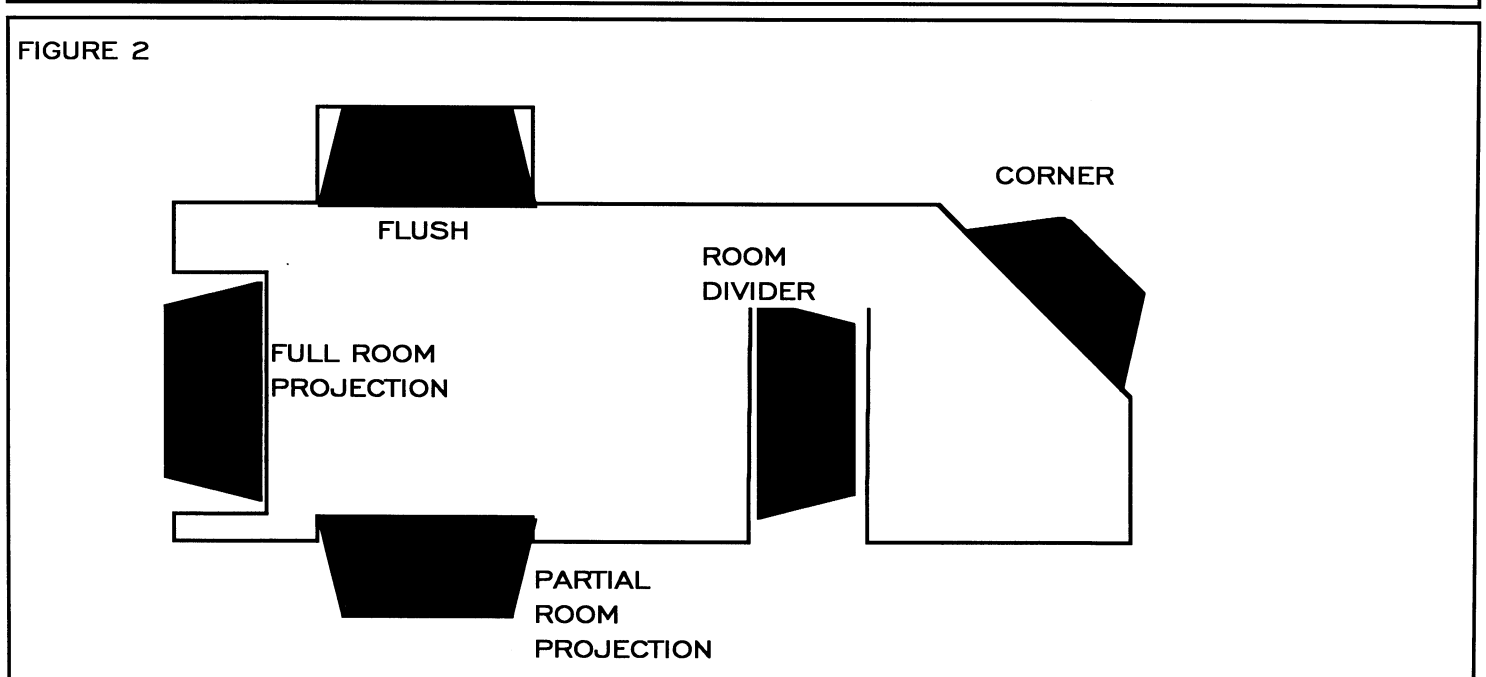
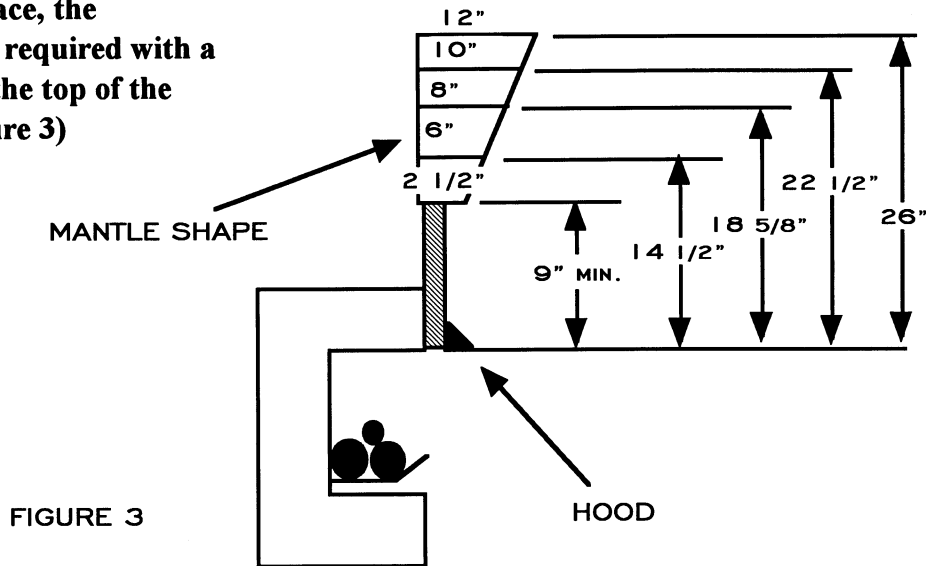


FIGURE 2



## MANTLES OVER THE FIREPLACE

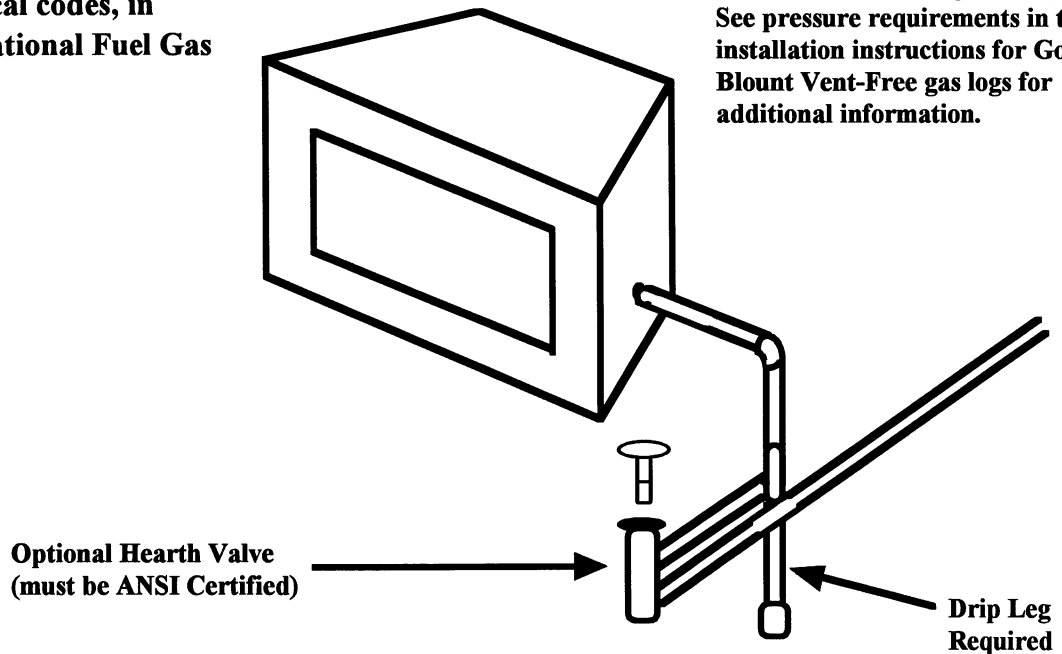
If a mantle or other projections constructed of a combustible material is to be installed over the fireplace, the accessory fireplace hood is required with a 9" minimum clearance to the top of the firebox opening. (See Figure 3)



## GAS LINE INSTALLATION

The gas line is to be installed through the hole in the right side of the firebox as shown in figure 4. All gas piping must be installed in accordance with local codes, or, in the absence of local codes, in accordance with the National Fuel Gas Code Z223.1.

**NOTE:** All plumbing is to be furnished by the installer, including shut-off valve and regulator (LP only). See pressure requirements in the installation instructions for Golden Blount Vent-Free gas logs for additional information.



### CAUTION!!

This fireplace has no chimney and nothing is to be burned in the firebox but the approved Golden Blount vent-free gas log set. All installation instructions supplied with Golden Blount gas logs must be followed for safe operation.