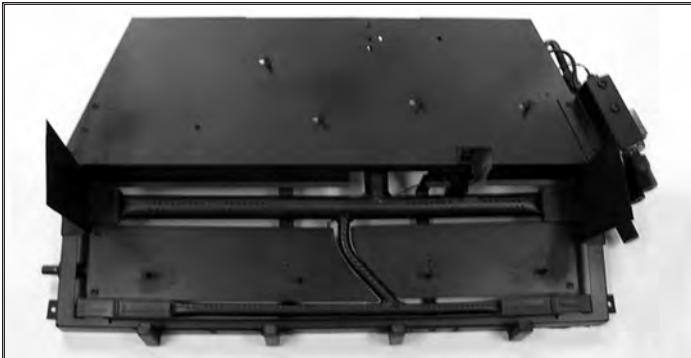




INSTALLATION AND OPERATING INSTRUCTIONS

FOR VENT-FREE OR VENTED INSTALLATIONS



UNVENTED GAS LOG HEATER OR VENTED DECORATIVE APPLIANCE

MODELS

PF-BA20LRR	PF-BA24NRR	PF-BA24LRR
PF-BA20NRR	PF-BA30NRR	PF-BA30LRR

This appliance may be installed in an aftermarket permanently located, manufactured (mobile) home, where not prohibited by local codes.

This appliance is only for use with the type of gas indicated on the rating plate. This appliance is not convertible for use with other gases.

This is an unvented gas-fired heater. It uses air (oxygen) from the room in which it is installed. Provisions for adequate combustion and ventilation air must be provided. Refer to page 6.

WARNINGS

If the information in this manual is not followed exactly, a fire or explosion may result causing property damage, personal injury, or loss of life.

- Do not store or use gasoline or other flammable vapors and liquids in the vicinity of this or any other appliance.

WHAT TO DO IF YOU SMELL GAS

- Do not try to light any appliance.
- Do not touch any electrical switch; do not use any phone in your building.
- Immediately call your gas supplier from neighbor's phone. Follow the gas supplier's instructions.
- If you cannot reach your gas supplier, call the fire department.
- Installation and service must be performed by a qualified installer, service agency, or the gas supplier.

WARNING: If not installed, operated and maintained in accordance with the manufacturer's instructions, this product could expose you to substances in fuel or from fuel combustion which can cause death or serious illness.

WATER VAPOR: A BY-PRODUCT OF UNVENTED ROOM HEATERS

Water vapor is a by-product of gas combustion. An unvented room heater produces approximately on (1) ounce (30ml) of water for every 1,000 BTU's (.3KW's) of gas input per hour.

MANUFACTURED BY:

4301 WESTGROVE DRIVE
ADDISON, TX 75001

INSTALLER/CONSUMER – RETAIN THIS APPLIANCE MANUAL WITH THE INSTALLED APPLIANCE

TABLE OF CONTENTS

<u>SECTION</u>	<u>PAGE</u>
Important Safety Information	3-4
Accessories	4
Product Specifications	4
General Information	5
Combustion and Ventilation Air	6
Clearances	6-7
Combustible Material	8
Fireplace Preparation	8
Installing as a Vented Appliance	8
Before You Fully Install	9
Gas Supply	9-10
Placement of Glowing Embers and Lava Rock	10
Operation / Flame Appearances	11
PF-BARR Lighting Instructions	12
Pilot Flame Characteristics	13
Cleaning and Servicing	13
Wiring	14
Trouble Shooting	15
Parts List	16
Parts View	17
Warranty	17

IMPORTANT SAFETY INFORMATION

- An unvented room heater having an input rating of more than 6,000 Btu per hour shall not be installed in a bathroom.
 - An unvented room heater having an input rating of more than 10,000 Btu per hour shall not be installed in a bedroom or bathroom.
 - Never burn solid fuels in a fireplace where a gas log set is installed.
 - Due to high temperatures, the appliance should be located out of traffic and away from furniture and draperies.
 - Do not place clothing or other flammable material on or near the appliance.
 - Children and adults should be alerted to the hazards of high surface temperature, and should stay away to avoid burns or clothing ignition.
 - Young children should be carefully supervised when they are in the same room as the appliance.
 - This unit complies with ANSI Z21.11.2 Unvented Heater and it also complies with ANSI Z21.60 Decorative Vented Appliances for Solid Fuel Burning Fireplaces. State or local codes may only allow operation of this appliance in a vented configuration. Check your state or local codes.
 - Correct installation of logs, proper location of the heater, and annual cleaning are necessary to avoid potential problems with sooting. Sooting, resulting from improper installation or operation, can settle on surfaces outside the fireplace.
 - Avoid any drafts that could alter burner flame patterns. Do not allow fans to blow directly into the fireplace. Do not place a blower inside burn box area of firebox. Ceiling fans may create drafts that alter burner flame patterns. Sooting and improper burning will occur as a result of drafts.
 - **WARNING:** Do not allow fans to blow directly into the fireplace. Avoid any drafts that alter burner flame patterns.
 - **WARNING:** Do not use a blower insert, heat exchanger insert or other accessory not approved for use with this heater.
 - Periodic examination and cleaning of the venting system of the solid-fuel burning fireplace is required by a qualified agency.
 - The installation must conform with local codes or, in the absence of local codes, with the National Fuel Gas Code, ANSI Z223.1/NFPA54.
- **NOTE:** Installation and repair should be done by a qualified service person. The appliance should be inspected before use and at least annually by a qualified service person. More frequent cleaning may be required due to excessive lint from carpeting, bedding material, etc. It is imperative that the control compartment, burners, and circulating air passageways of the appliance be kept clean.
 - Any safety screen or guard removed for servicing an appliance must be replaced prior to operating the appliance. Provide adequate combustion and ventilation air.
 - The flow of combustion and ventilation air **MUST NOT** be obstructed.
 - Provide adequate clearances around air openings into the combustion chamber and adequate accessibility clearance for servicing and proper operation. **NEVER** obstruct the front opening of the appliance.
 - An unvented room heater intended for installation in a solid-fuel burning fireplace shall comply with the following instructions:
 - A fireplace screen must be in place when the appliance is operating and, unless other provisions for combustion air are provided, the screen shall have an opening(s) for introduction of combustion air.
 - Solid-fuels shall not be burned in a masonry or UL 127 factory-built fireplace in which an unvented room heater is installed.
 - Any glass doors shall be fully opened when the appliance is in operation.
 - Any outside air ducts and/or ash dumps in the fireplace shall be permanently closed at time of appliance installation.
 - **WARNING:** Failure to keep the primary air opening(s) of the burner(s) clean may result in sooting and property damage.
 - **WARNING:** Before installing in a solid-fuel burning fireplace, the chimney flue and firebox must be cleaned of soot, creosote, ashes, and loose paint by a qualified chimney cleaner.

WARNING

When used without adequate combustion and ventilation air, heater may give off CARBON MONOXIDE, an odorless, poisonous gas.

Do not install heater until all necessary provisions are made for combustion and ventilation air. Consult the written instructions provided with the heater for information concerning combustion and ventilation air. In the absence of instructions, refer to the National Fuel Gas Code, ANSI Z223.1, Section 5.3 or applicable local codes.

This heater is equipped with a PILOT LIGHT SAFETY SYSTEM designed to turn off the heater if not enough fresh air is available.

DO NOT TAMPER WITH PILOT LIGHT SAFETY SYSTEM!

If heater shuts off, do not re-light until you provide fresh air. If heater keeps shutting off, have it serviced. Keep burner and control compartment clean.

CARBON MONOXIDE POISONING MAY LEAD TO DEATH.

Early signs of carbon monoxide poisoning resemble the flu, with headache, dizziness and/or nausea. If you have these signs, heater may not be working properly. Get fresh air at once! Have heater serviced.

Some people – pregnant women, persons with heart or lung disease, anemia, those under the influence of alcohol, those at high altitudes – are more affected by carbon monoxide than others.

The pilot light safety system senses the depletion of oxygen at its location. If this heater is installed in a structure having a high vertical dimension, the possibility exists that the oxygen supply at the high levels will be less than that at the heater. In this type of application, a fan to circulate the structure air will minimize this effect. The use of this fan will also improve the comfort level in the structure. When a fan is used to circulate air, it should be located so that the air flow is not directed at the burner.

CAUTION

NOTE! CARBON MONOXIDE POISONING MAY LEAD TO DEATH

Early signs of carbon monoxide poisoning resemble the flu, with headache, dizziness and/or nausea. If you have these signs, the heater may not be working properly. Get fresh air at once! Have heater serviced. Some people – pregnant women, persons with heart or lung disease, anemia, those under the influence of alcohol, those at high altitudes – are more affected by carbon monoxide than others.

WARNING: ANY CHANGES TO THIS HEATER OR ITS CONTROLS CAN BE DANGEROUS AND CAN VOID WARRANTY.

Children and adults should be alerted to the hazards of high surface temperature and should stay away to avoid burns or clothing ignition. Young children should be carefully supervised when they are in the same room as the appliance.

NOTE: Installation and repair should be done by a qualified service person well trained in the installation of such appliances. You may need a building permit from your local Building Commissioner before installing this appliance.

Any safety screen or guard removed for servicing an appliance must be replaced prior to operating the heater. Do not burn with glass doors in a closed position.

WARNING: This appliance is for installation only in a solid fuel burning masonry or UL 127 factory built fireplace or in a listed ventless firebox enclosure. It has been design certified for these installations. Exception: DO NOT install this appliance in a factory built fireplace that includes instructions stating it has not been tested or should not be used with unvented gas logs.

ACCESSORIES

For use with PF-BA RR models

RCAF-1 on/off remote control

RCAF-1 TH thermostat remote control

PRODUCT SPECIFICATIONS

Model	Gas Type	Max. BTU Input/Hr.	Min. BTU Input/Hr.	Gas Inlet Pressure Max.	Gas Inlet Pressure Min.	Regular Pressure
PF-BA20NRR	Natural	26,000	19,400	10.5" W.C.	5.0" W.C.	3.2" W.C.
PF-BA20LRR	Propane	23,000	18,250	14.5" W.C.	11.0" W.C.	10.0" W.C.
PF-BA24NRR	Natural	37,000	24,000	10.5" W.C.	5.0" W.C.	3.5" W.C.
PF-BA24LRR	Propane	32,000	24,000	14.5" W.C.	11.0" W.C.	10.0" W.C.
PF-BA30NRR	Natural	37,000	25,500	10.5" W.C.	5.0" W.C.	3" W.C.
PF-BA30LRR	Propane	37,000	22,500	14.5" W.C.	11.0" W.C.	10.0" W.C.

GENERAL INFORMATION

This is an unvented gas-fired heater. It uses air (oxygen) from the room in which it is installed. Provisions for adequate combustion and ventilation air must be provided.

Keep room area clear and free from combustible materials, gasoline, and other flammable vapors and liquids.

Unvented gas heaters are a supplemental zone heater. They are not intended to be a primary heating appliance. Water vapor produced by an unvented heater can create moisture problems in a home when operated for extended periods of time.

During manufacturing, fabricating and shipping, various components of this appliance are treated with certain oils, films, or bonding agents. These chemicals are not harmful but may produce annoying smoke and smells as they are burned off during the initial operation of the appliance, possibly causing headaches or eye or lung irritation. This is a normal and temporary occurrence.

The initial break-in operation should last 2-3 hours with the burner at the highest setting. Provide maximum ventilation by opening windows or doors to allow odors to dissipate. Any odors remaining after this initial break-in period will be slight and will disappear with continued use.

This appliance must not be used with glass doors in the closed position. This can lead to pilot outages and severe sooting outside the fireplace.

Do not use this room heater if any part has been under water. Immediately call a qualified service technician to inspect the room heater, and replace any part of the control system and any gas control which has been under water.

WARNING: This appliance is equipped for (natural or propane) gas. Field conversion is not permitted.

Qualified Installing Agency

Installation and replacement of gas piping, gas utilization equipment or accessories, and repair and servicing of equipment shall be performed only by a qualified agency. The term "qualified agency" means any individual, firm, corporation, or company that either in person or through a representative is engaged in and is responsible for (a) the installation, testing, or replacement of gas piping or (b) the connection, installation, testing, repair, or servicing of equipment; that is experienced in such work; that is familiar with all precautions required, and that has complied with all the requirements of the authority having jurisdiction.

State of Massachusetts: The installation must be made by a licensed plumber or gas fitter in the Commonwealth of Massachusetts.

Sellers of unvented propane or natural gas-fired supplemental room heaters shall provide to each purchaser a copy of 527 CMR-30 upon sale of the unit.

The installation must conform with local codes or, in the absence of local codes, with the National Fuel Gas Code ANSI Z223.1*.

*Available from the American National Standards Institute, Inc. 11 West 42nd St., New York, N.Y. 10018.

High Altitudes: Installations at altitudes of 2,000 feet above sea level or greater may require modifications to the gas log burner assembly. Call factory for more information.

WATER VAPOR: A BY-PRODUCT OF UNVENTED ROOM HEATERS

Water vapor is a by-product of gas combustion. An unvented room heater produces approximately one (1) ounce (30ml) of water for every 1,000 BTU's (.3KW's) of gas input per hour.

Unvented room heaters must be used as supplemental heat (a room) rather than a primary heat source (an entire house). In most supplemental heat applications, the water vapor does not create a problem. In most applications, the water vapor enhances the low humidity atmosphere experienced during cold weather.

The following steps will help insure that water vapor does not become a problem.

1. Be sure the heater is sized properly for the application, including ample combustion air and circulation air.
2. If high humidity is experienced, a dehumidifier may be used to help lower the water vapor content of the air.
3. Do not use an unvented room heater as the primary heat source (an entire house).

PROVISIONS FOR ADEQUATE COMBUSTION & VENTILATION AIR

This heater shall not be installed in a confined space unless provisions are provided for adequate combustion and ventilation air.

The National Fuel Gas Code defines a confined space as a space whose volume is less than 50 cubic feet per 1,000 Btu per hour (4.8m³ per kw) of the aggregate input rating of all appliances installed in that space, and an unconfined space as a space whose volume is not less than 50 cubic feet per 1,000 Btu per hour (4.8m³ per kw) of the aggregate input rating of all appliances installed in that space. Rooms communicating directly with the space in which the appliances are installed, through openings not furnished with doors, are considered a part of the unconfined space.

Unusually Tight Construction

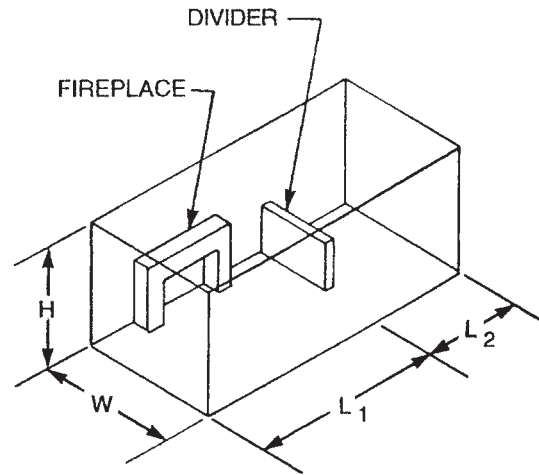
The air that leaks around doors and windows may provide enough fresh air for combustion and ventilation. However, in buildings of unusually tight construction, you must provide additional fresh air.

Unusually tight construction is defined as construction where:

- Walls and ceilings exposed to the outside atmosphere have a continuous water vapor retarder with a rating of one perm or less with openings gasketed or sealed, and
- Weatherstripping has been added on openable windows and doors, and
- Caulking or sealants are applied to areas such as joints around window and door frames, between sole plates and floors, between wall-ceiling joints, between wall panels, at penetrations for plumbing, electrical, and gas lines, and at other openings.

If your home meets all of the three criteria above, you must provide additional fresh air.

WARNING: If the area in which the heater may be operated is smaller than that defined as an unconfined space, or if the building is of unusually tight construction, provide adequate combustion and ventilation air by one of the methods described in the National Fuel Gas Code, ANSI Z223.1, Section 5.3. or applicable local codes.



The following formula can be used to determine the maximum heater rating per the definition of unconfined space:

$$\text{Btu/HR} = \frac{(L_1 + L_2)\text{FT} \times (W)\text{FT} \times (H)\text{FT}}{50} \times 1000$$

If the area in which the heater may be operated is smaller than the defined as an unconfined space, provide adequate combustion and ventilation air by one of the methods described in the National Fuel Gas Code, ANSI Z223.1, Section 5.3.

Adhere to all codes or in the absence, the latest edition of THE NATIONAL FUEL GAS CODE ANSI Z223.1 or NFPA54 which can be obtained from:

American National Standards Institute National Fire Protection Association, Inc.
 11 West 42nd St. Battery March Park
 New York, NY 10018 Quincy, MA 02269

CLEARANCES

Minimum Dimensions For Solid Fuel Burning Fireplaces UL127 Factory Built Fireplaces (Figure 2)

Model	Max Taper Firebox		MIN Taper Firebox		B	D
	A	C	A	C		
PF-BA20NRR	16"	30"	18"	28"	15"	20"
PF-BA20LRR	16"	30"	18"	28"	15"	20"
PF-BA24NRR	22"	35"	26"	32"	15"	20"
PF-BA24LRR	22"	35"	26"	32"	15"	20"
PF-BA30LRR	28"	41"	31"	38"	15"	20"
PF-BA30LRR	28"	41"	31"	38"	15"	20"

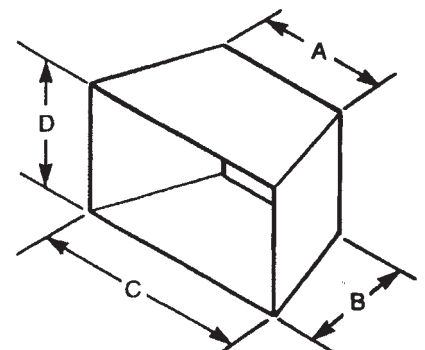
The dimensions shown and defined in the fireplace manufacturer's instructions are minimum clearances to maintain in installing this heater. Left and right clearances are determined when facing the front of the heater.

Glass Doors

Make sure that glass doors are open during all operations of the logset. The opening of the glass door frame should be the dimension used for the minimum front opening of the firebox.

Follow these instructions to ensure safe installation.

Failure to follow instructions exactly can create a fire hazard.



CLEARANCES (continued)

Sidewall & Ceiling Clearances (Figure 3)

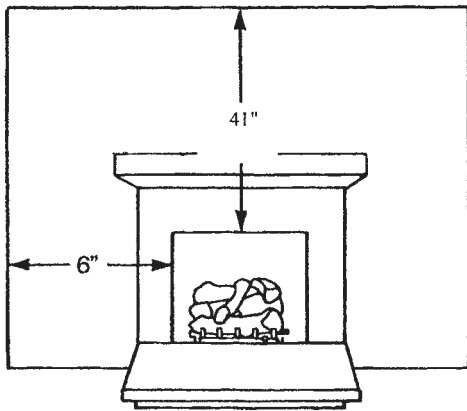


FIGURE 3

The sides of the fireplace opening must be 6" from any combustible wall. The ceiling must be at least 41" from the fireplace opening.

Mantel Clearances Without Hood (Figure 4)

You must have non-combustible materials above the fireplace opening. Non-combustible material must extend at least 12" above fireplace opening. With sheet metal, you must have non-combustible material behind it.

Heat resistant materials such as slate and marble must be at least 1/2" thick. Sheet metal should not be installed onto combustible material.

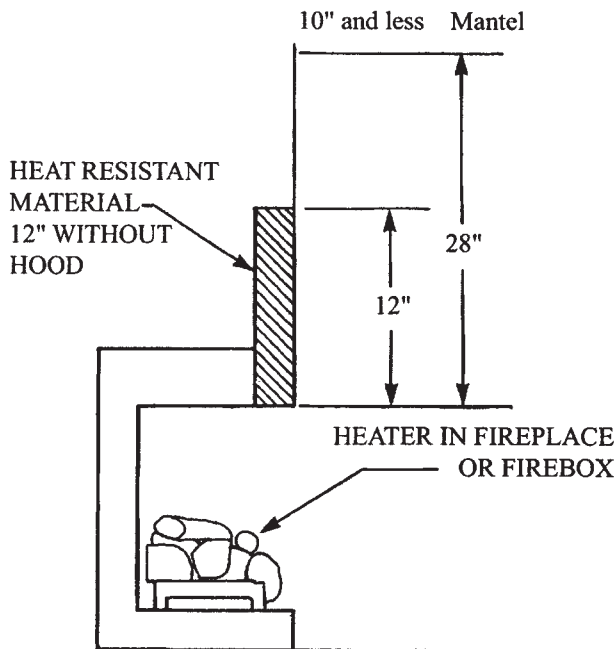


FIGURE 4

If your installation does not meet the above clearances, you must proceed to one of the following steps:

- Use a hood
- Operate the heater with flue damper open. See page 10 for Installing as a Vented Appliance.
- Raise the mantel to the proper height.
- Remove the mantel.

Mantel Clearances With Hood (Figure 5)

Non-Combustible Material Distance	Requirements For Safe Installation
12" or more	Non-combustible material
Less than 12"	Non-combustible material must be extended to at least 8" with the installation of the optional fireplace hood. If you cannot extend non-combustible material at least 8", you must operate heater with flue damper open.

You must have non-combustible materials above the fireplace opening. Non-combustible material must extend at least 8" above fireplace opening. With sheet metal, you must have non-combustible material behind it.

Heat resistant materials such as slate and marble must be at least 1/2" thick. Sheet metal should not be installed onto combustible material.

Example: A mantel may project from the wall a maximum of 2" at a minimum of 13-1/2" above the opening, and a maximum of 6" at a minimum of 15" above the opening.

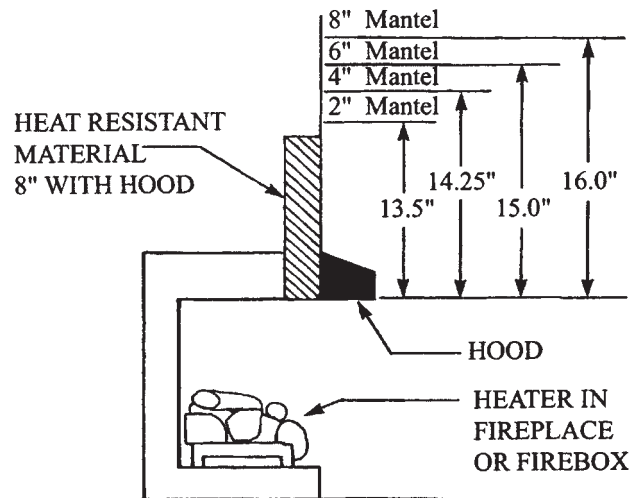


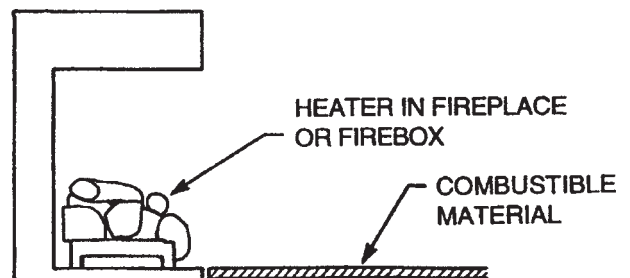
FIGURE 5

If your installation does not meet the above minimum clearances, you must proceed to one of the following steps:

- Operate the heater with the flue damper open. See page 10 for Installing as a Vented Appliance.
- Raise the mantel to the proper height.
- Remove the mantel.

Floor Clearance (Figure 6)

If installing heater at floor level, the minimum distance to combustibles is "0" inches.



COMBUSTIBLE MATERIAL

Do not attach combustible material to the mantel of your fireplace. This is a fire hazard.

No greeting card, stockings, or ornamentation of any type should be placed on or attached to the fireplace. This is a heating appliance. The flow of heat can ignite combustibles.

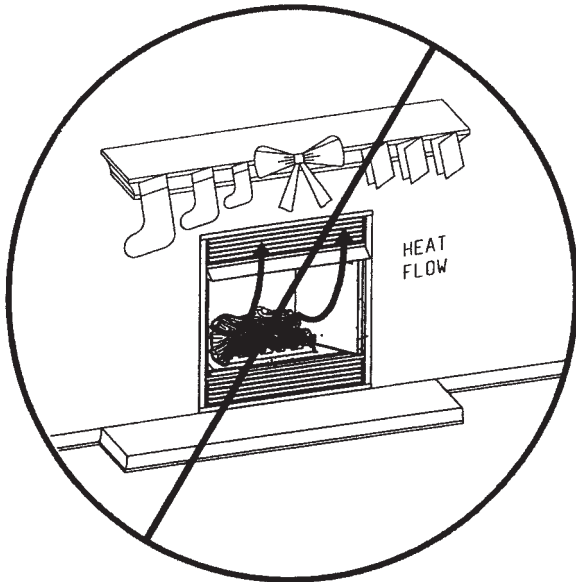


FIGURE 7

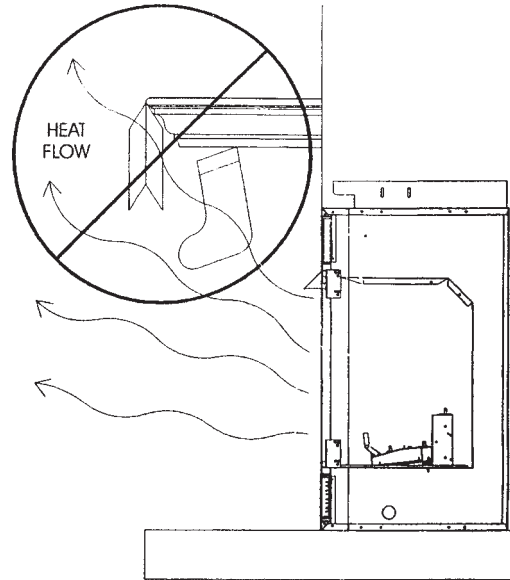


FIGURE 8

FIREPLACE PREPARATION

- Turn off gas supply to fireplace or firebox.
- Have the fireplace floor and chimney professionally cleaned to remove ashes, soot, creosote or other obstructions. Have this cleaning performed annually after installation.
- Seal any fresh air vents or ash clean-out doors located on floor or wall of fireplace. If not, drafting may cause pilot light outage or sooting. Use a heat-resistant sealant. Do not seal chimney flue damper.
- Install and operate the appliance as directed in this manual.

INSTALLING AS A VENTED APPLIANCE

Notice (Damper Clamp Installation)

When installing your log set as a vented installation, the damper clamp must be used.

When installing your log set as a vent-free installation the damper clamp can be used to eliminate the potential for odors when burning the logs for the first time.

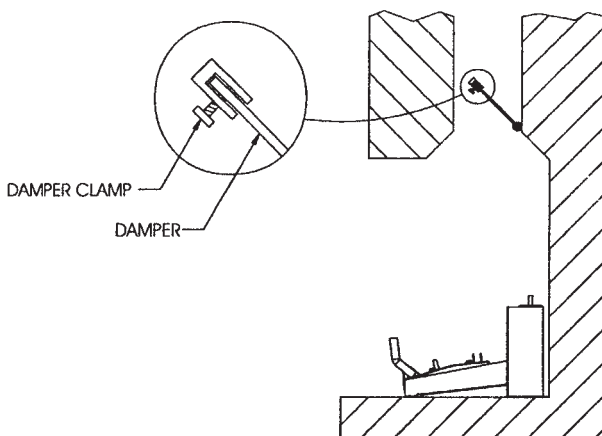


FIGURE 9

Installing Damper Clamp (Figure 9)

Remove all ashes or other debris from the fireplace. If the fireplace is equipped with an ash dump, be sure to seal the door with furnace cement or high temperature silicone. Be sure to check the damper for proper operation and verify that the flue passageway is open.

Place the clamp over the lip of the damper and tighten the hold down bolt until the clamp is securely attached to the damper. This will prevent the damper from accidentally closing.

Manual and millivolt controlled gas logs may be installed as a vented decorative log set in compliance with ANSI Z21.60 and National Fuel Gas Code. When the gas logs are operated with the damper open, non-combustible material and minimum mantel requirements do not apply.

BEFORE FULLY INSTALLING THE APPLIANCE

- Turn off the gas supply to the fireplace or firebox.
- Seal any fresh air vents and/or ash clean-out doors located on the floor or wall of the fireplace. If left unsealed, drafting may cause pilot outage or sooting. Use a heat resistant sealant. Do not seal the chimney flue damper.

Before installing in a solid fuel burning fireplace, the chimney flue and firebox must be cleaned of soot, creosote, ashes and loose paint by a qualified chimney cleaner.

You must secure the gas log heater to the fireplace floor. If not, the entire unit may move when you adjust the controls. Movement of unit may cause shifting of the gas logs which leads to sooting and improper burning. Grate movement could cause a gas leak.

Special care is required if you are installing the unit into a sunken fireplace. You must raise the fireplace floor to allow access to gas log controls. This will insure adequate air flow and guard against sooting. Raise the fireplace floor using non-combustible materials.

Assembly Procedure (Figure 10)

1. Center the gas log unit in the fireplace or firebox. Make certain the front feet of the grate sit inside the front edge of the fireplace or firebox.
2. An anchor hole is provided in the two bottom side members of the grate frame. After centering the grate correctly, mark the hole positions on the fireplace/firebox floor. Drill two (2) 3/16" diameter holes approximately 1-1/2" deep for masonry screws or 1/8" holes for sheet metal screws.
3. Anchor the grate to the fireplace/firebox floor using the screws provided. Refer to Figure 10.

Proper installation of the grate is essential to prevent any movement of the gas logs and controls during operation.

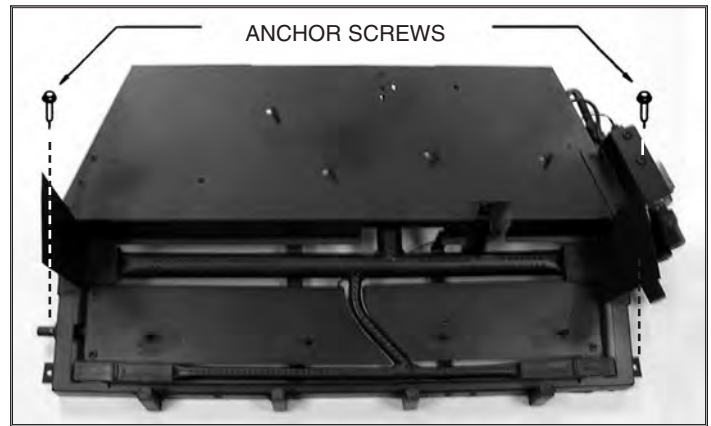


FIGURE 10

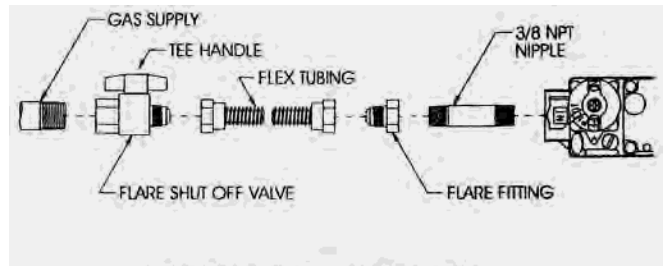
GAS SUPPLY

Check all local codes for requirements, especially for the size and type of gas supply line required.

Recommended Gas Pipe Diameter

Pipe Length	Schedule 40 Pipe Inside Diameter		Tubing, Type L Outside Diameter	
	Nat.	L.P.	Nat.	L.P.
0-10' 0-3.048m	1/2" 12.7mm	3/8" 9.5mm	1/2" 12.7mm	3/8" 9.5mm
10-40' 3.048-12.192m	1/2" 12.7mm	1/2" 12.7mm	5/8" 15.9mm	1/2" 12.7mm
40-1000' 12.192+30.48m	1/2" 12.7mm	1/2" 12.7mm	3/4" 19mm	1/2" 12.7mm
100-1150' 30.48-45.72m	3/4" 19mm	1/2" 12.7mm	7/8" 22.2mm	3/4" 19mm

FLEXIBLE GAS LINE CONNECTION



RIGID GAS LINE CONNECTION

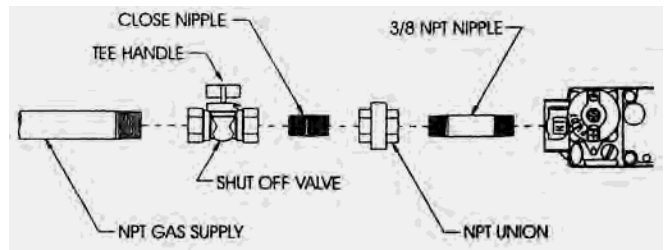


FIGURE 11

GAS SUPPLY (continued)

Note: Never use plastic pipe. Check to confirm whether your local codes allow copper tubing or galvanized.

Note: Since some municipalities have additional local codes, it is always best to consult your local authority and installation code.

Installing a New Main Gas Valve

Each appliance should have its own manual gas valve.

In the state of Massachusetts the gas valve must be a T handle type.

A manual main gas valve should be located in the vicinity of the unit. Where none exists, or where its size or location is not adequate, contact your local authorized installer for installation or relocation.

Compounds used on threaded joints of gas piping shall be resistant to the action of liquefied petroleum gases. The gas lines must be checked for leaks by the installer. This should be done with a soap solution watching for bubbles on all exposed connections, and if unexposed, a pressure test should be made.

Never use an exposed flame to check for leaks. Appliance must be disconnected from piping at inlet of control valve, and pipe capped or plugged for pressure test. Never pressure test with appliance connected; control valve will sustain damage!

A gas valve and ground joint union should be installed in the gas line upstream of the gas control to aid in servicing. It is required by the National Fuel Gas Code that a drip line be installed near the gas inlet. This should consist of a vertical length of pipe tee connected into the gas line that is capped on the bottom in which condensation and foreign particles may collect.

The use of the following gas connectors is recommended:

- ANS Z21.24 Appliance Connectors of Corrugated Metal Tubing and Fittings
- ANS Z21.45 Assembled Flexible Appliance Connectors of Other Than All-Metal Construction

The above connectors may be used if acceptable by the authority having jurisdiction. The state of Massachusetts requires that a flexible appliance connector cannot exceed three feet in length.

Pressure Testing of the Gas Supply System

1. To check the inlet pressure to the gas valve, a 1/8" (3.175mm) N.P.T. plugged tapping, accessible for test gauge connection, must be placed immediately upstream of the gas supply connection to the appliance.
2. The appliance and its individual shutoff valve must be disconnected from the gas supply piping system during any pressure testing of that system at test pressures in excess of 1/2 psig (3.5 kPa).
3. The appliance must be isolated from the gas supply piping system by closing its individual manual shutoff valve during any pressure testing of the gas supply piping system at test pressures equal to or less than 1/2 psig (3.5 kPa).

Attention! If one of the procedures results in pressures in excess of 1/2 psig (14" w.c.) (3.5 kPa) on the appliance gas valve, it will result in a hazardous condition.

PLACEMENT OF GLOWING EMBERS AND LAVA ROCKS

Placement of the glowing embers (rock wool) is very individual, and light coverage will provide your best effects. We recommend separation of the rock wool by hand, and make your coverage as light and fluffy as possible.

Place just enough embers on the burner to obtain the glow and a gold, yellow flame. (Figure 12)

Do not place embers (rock wool) over large ports in rear portion of burner.

Rock wool should not be placed in the area of the pilot assembly.

Spread lava rock on fireplace floor in front of and on either side of the burner assembly. The lava rock is for decorative effect and is not required for appliance operation.

WARNING: DO NOT PLACE LAVA ROCK ON BURNER, LOGS OR EMBERS. THE LAVA ROCK SHOULD ONLY BE PLACED ON THE FIREPLACE FLOOR.



FIGURE 12

OPERATION INSTRUCTIONS/FLAME APPEARANCE

Flames from the pilot (rear back side of the pan burner) as well as the main flame should be visually checked as the log set is installed.

In normal operation at full rate, after 10 to 15 minutes, the flame appearance should be sets of yellow flames.

NOTE: All Flames will be random by design, flame height will go up and down.

Glowing embers (rock wool) can cover the burner in between the front and middle logs, but very little is necessary to cover this area. Excess ember material causes the yellow flame to become orange and stringy. Apply just enough to obtain slow glow and a gold yellow flame.

Avoid any drafts that alter burner flame patterns. Do not allow fans to blow directly into fireplace. Do not place a blower inside the burner area of the firebox. Ceiling fans may create drafts that alter flame patterns. Sooting and improper burning will result.

During manufacturing, fabricating and shipping, various components of this appliance are treated with certain oils, films or bonding agents. These chemicals are not harmful, but may produce annoying smoke and smells as they are burned off during the initial operation of the appliance, possibly causing headaches or eye or lung irritation. This is a normal and temporary occurrence.

The initial break-in operation should last 2-3 hours with the burner at the highest setting. Provide maximum ventilation, by opening windows or doors to allow odors to dissipate. Any odors remaining after this initial break-in will be slight and will disappear with continued use.

PF-BARR-(20,24,30) LIGHTING INSTRUCTIONS

FOR YOUR SAFETY READ BEFORE LIGHTING

WARNING: If you do not follow these instructions exactly, a fire or explosion may result causing property damage, personal injury or loss of life.



- This appliance has a pilot which must be lit by hand. When lighting the pilot, follow these instructions exactly.
- BEFORE LIGHTING, smell all around the appliance area for gas. Be sure to smell next to the floor because some gas is heavier than air and will settle on the floor.



WHAT TO DO IF YOU SMELL GAS

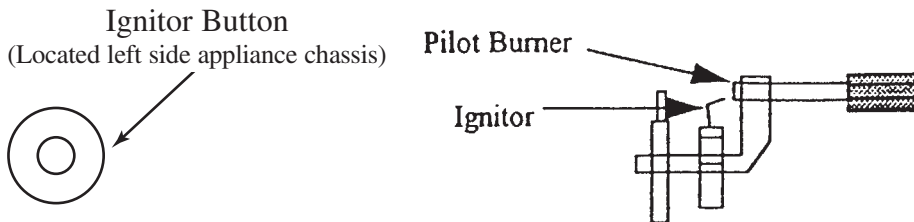
- Do not try to light any appliance.
- Do not touch any electrical switch; do not use any phone in your building.
- Immediately call your gas supplier from a neighbor's phone. Follow the gas supplier's instructions.
- If you cannot reach your gas supplier, call the fire department.

- Use only your hand to push in or turn the gas control knob. Never use tools. If the knob will not push in or turn by hand, don't try to repair it; call a qualified service technician. Forced or attempted repair may result in a fire or explosion.
- Do not use this appliance if any part has been under water. Immediately call a qualified service technician to inspect the appliance and to replace any part of the control system and any gas control which has been under water.

LIGHTING INSTRUCTIONS

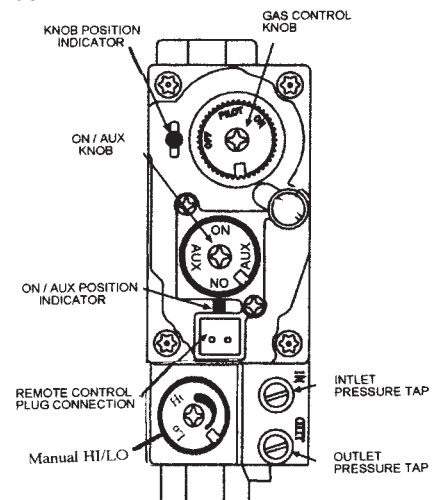
- STOP! Read the safety information label.
- Make sure the manual shutoff valve is fully open.
- This gas log set is equipped with an ignition device (piezo) which lights the pilot. If piezo ignitor does not light the pilot, refer to Step 7.
- Turn gas control knob clockwise  to the "OFF" position.
- Wait ten (10) minutes to clear out any gas. Then smell for gas, including near the floor. If you smell gas STOP! Follow "B" in the safety information label. If you do not smell gas, go to the next step.
- Find pilot – follow metal tube from gas control. The pilot is located to the left of the gas control under notch in metal chassis.
- From OFF position, turn the gas control knob counterclockwise  to "Pilot" position. Push in and hold knob for 5 seconds.

- With the control knob pushed in, repeatedly push the piezo ignitor button until pilot is lit (or use a match to light pilot).
- Continue pushing the control knob in for another 60 seconds to prevent the flame detector from shutting off the gas while the probe is warming up. Release the control knob.
 - If the pilot will not stay lit after several tries, turn the gas control knob to "OFF" and call your service technician or gas supplier.
- Turn gas control knob counterclockwise  to the "ON" position. The main burner valve will open and the main burner will ignite, provided the ON/AUX knob is in the ON position.
- Turn gas control knob counterclockwise  to the "ON" position, with the ON/AUX knob in the "AUX" position then remote control will operate the gas control valve and cause the main burner valve to open and the main burner will ignite. Flame height can be manually changed by turning the HIGH/LOW control knob.




RR (Remote Ready) Valve, Remote Control Option

The RR valve has an on/off solenoid internally located inside the valve body. The optional RECAP-1 remote control can be added to allow the valve to be operated by remote control.

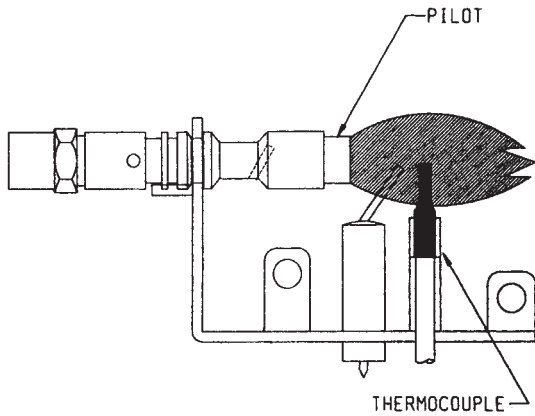


TO TURN OFF GAS TO APPLIANCE

- Turn control knob clockwise  to OFF position to completely shut off the heater.
- If applicable: Turn optional flame control option OFF prior to turning control knob to OFF position.

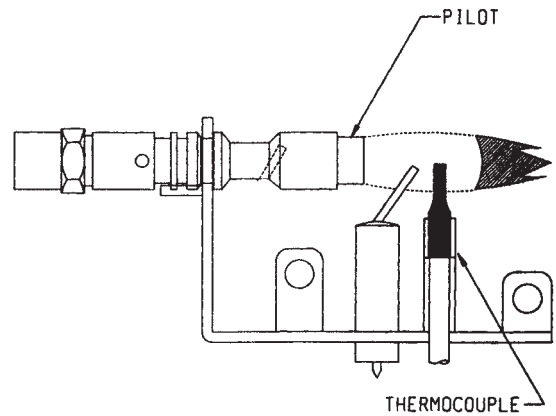
PILOT FLAME CHARACTERISTICS

Figure 13 shows a correct pilot flame pattern. The correct flame will be blue and will extend beyond the thermocouple. The flame will surround the thermocouple just below the tip. A slight yellow flame may occur where the pilot flame and main burner flame meet.



Correct Pilot Flame Pattern
FIGURE 13

Figure 14 shows an incorrect flame pattern. The incorrect pilot flame is not touching the thermocouple. This will cause the log set to shut down.



Incorrect Pilot Flame Pattern
FIGURE 14

BURNER FLAME CHARACTERISTICS

Figure 15 shows a correct burner flame pattern. The correct flame will be blue at the base and yellow at the tip. Flame should be vertical in shape and should not impinge decorative logs.



FIGURE 15

CLEANING AND SERVICING

Annual inspection and cleaning by your dealer or qualified service technician is recommended to prevent malfunction and/or sooting.

TURN OFF HEATER AND ALLOW TO COOL BEFORE CLEANING.

PERIODIC CLEANING – Refer to parts diagram on page 18 for location of items discussed below.

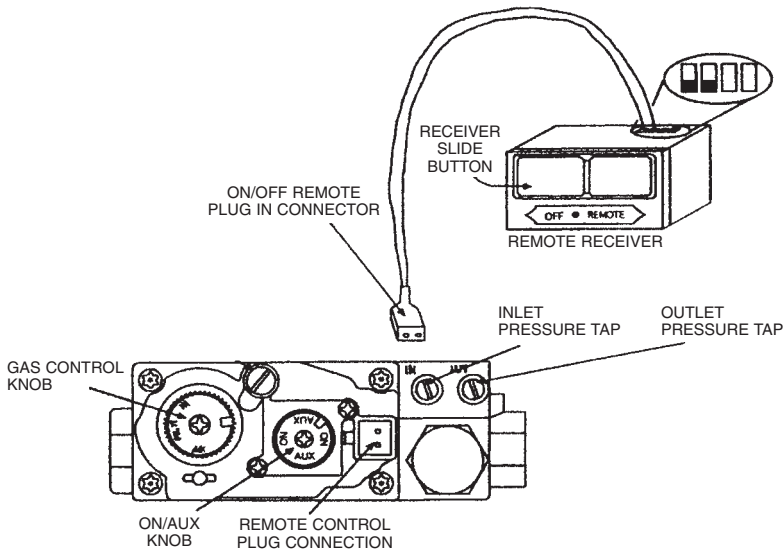
- Do not use cleaning fluid to clean logs or any part of heater.
- Logs – Brush logs with soft bristle brush, or vacuum with brush attachment.
- Remove loose particles and dust from the burner areas, controls, piezo covers and grate.
- Inspect and clean burner air intake hole. Remove lint or particles with brush. Failure to keep air intake hole clean will result in sooting and poor combustion.

ANNUAL CLEANING/INSPECTION – Refer to parts diagram for location of items discussed below:

- Inspect and clean burner air intake hole. Remove lint or particles with vacuum or brush. Failure to keep air intake hole clean will result in sooting and poor combustion.
- Inspect and clean all burner ports.
- Inspect ODS pilot for operation and accumulation of lint at air intake holes.
- Verify flame pattern and log placement for proper operation.
- Verify smooth and responsive ignition of main burner.

WIRING

PF-BARR MODEL VALVE



TROUBLESHOOTING – SYMPTOMS - POSSIBLE CAUSE AND CORRECTIONS

Turn appliance OFF and allow to cool before servicing. Only a qualified service person should service and repair the heater.

1. When ignitor button is pressed, there is no spark at ODS/pilot.
 - a. Ignitor electrode positioned wrong - Replace pilot.
 - b. Ignitor electrode is broken - Replace pilot.
 - c. Ignitor electrode not connected to ignitor cable - Reconnect ignitor cable.
 - d. Ignitor cable pinched or wet. Keep ignitor cable dry - Free ignitor cable if pinched by any metal or tubing.
 - e. Broken ignitor cable - Replace ignitor cable.
 - f. Bad piezo ignitor - Replace piezo ignitor.
2. Appliance produces unwanted odors.
 - a. Appliance burning vapors from paint, hair spray, glues, etc. - Ventilate room. Stop using odor causing products while heater is running.
 - b. Gas leak - Locate and correct all leaks.
3. Appliance shuts off during use. (Pilot stays on.)
 - a. Not enough fresh air is available for ODS/pilot to operate - Open window and/or door for ventilation.
 - b. Low line pressure - Contact local gas company.
 - c. ODS/pilot is partially clogged - Clean ODS/pilot.
 - d. Defective thermocouple - Replace pilot.
4. Appliance shuts off during use. (Pilot stays on.)
 - a. Low line pressure - Check line pressure to the valve.
5. Gas odor even when control knob is in OFF position.
 - a. Gas leak - Locate and correct all leaks.
 - b. Control valve defective - Replace control valve.
6. When ignitor button is pressed, there is spark at ODS/pilot, but no ignition.
 - a. Gas supply turned off or manual shutoff valve closed - Turn on gas supply or open manual shutoff valve.
 - b. Control knob not in PILOT position - Turn control knob to PILOT position.
 - c. Control knob not pressed in while in PILOT position - Press in control knob while in PILOT position.
 - d. Air in gas lines when installed - Continue holding down control knob. Repeat igniting operation until air is removed.
 - e. ODS/pilot is clogged - Replace ODS/pilot assembly or get it serviced.
 - f. Gas regulator setting is not correct - Replace gas regulator.
7. ODS/pilot lights but flame goes out when control knob is released.
 - a. Control knob not fully pressed in - Press in control knob fully.
 - b. Control knob not pressed in long enough - After ODS/pilot lights, keep control knob pressed in 30 seconds.
 - c. Manual Shutoff valve not fully open - Fully open manual shutoff valve.
 - d. Thermocouple connection loose at control valve - Hand tighten until snug, then tighten 1/4 turn more.
 - e. Pilot flame not touching thermocouple, which allows thermocouple to cool, causing pilot flame to go out. This problem could be caused by either low gas pressure or dirty or partially clogged ODS/pilot - Contact local gas company.
8. Burner does not light after ODS/pilot is lit.
 - a. Burner orifice clogged - Clean burner or replace main burner orifice.
 - b. Burner orifice diameter is too small - Replace burner orifice.
 - c. Inlet gas pressure is too low - Contact qualified service program.
9. If burning at main burner orifice occurs (a loud, roaring blow torch noise.)
 - a. You must turn off burner assembly and contact a qualified service person.
 - b. Manifold pressure is too low - Contact local gas company.
 - c. Burner orifice clogged - Clean burner or replace burner orifice.
10. Logs appear to smoke after initial operation.
 - a. Vapors from paint or curing process of logs - Problem will stop after a few hours of operation. Run the logs with the damper open if you have one, or open a window for the first few hours.
Log heater is intended to be smokeless. Turn OFF heater and call qualified service person.
11. Appliance produces a whistling noise when main burner is lit.
 - a. Turning control knob to HIGH position when main burner is cold - Turn control knob to LOW position and let warm up for a minute.
 - b. Air in gas line - Operate burner until air is removed from line. Have gas line checked by local gas company.
 - c. Dirty or partially clogged burner orifice - Clean burner or replace burner orifice.
12. No gas to pilot.
 - a. LP-regulator shut down due to inlet pressure too high - Verify LP tank regulator is installed and set at 11" to 13" w.c. Replace regulator on heater.

PARTS LIST

Ref No.	Part Number	Description	Ref No.	Part Number	Description
1	PF-BH20	Burner Housing 20"	NS	PF-BO20N	Burner Orifice 20" NAT
1	PF-BH24	Burner Housing 24"	NS	PF-BO24N	Burner Orifice 24" NAT
1	PF-BH30	Burner Housing 30"	NS	PF-BO30N	Burner Orifice 30" NAT
2	PF-LBS	Left Burner Shield	NS	PF-BO20L	Burner Orifice 20" LP
3	VF-Ignitor	Piezo Ignitor	NS	PF-BO24L	Burner Orifice 24" LP
4	PF-B20	Burner 20"	NS	PF-BO30L	Burner Orifice 30" LP
4	PF-B24	Burner 24"	NS	PF-BT20RR	Tubing (Valve to Burner) 20" RR
4	PF-B30	Burner 30"	NS	PF-BT24RR	Tubing (Valve to Burner) 24" RR
5	PF-RBS	Right Burner Shield	NS	PF-BT30RR	Tubing (Valve to Burner) 30" RR
6	PF-VLVRRN	Valve RR Model(NAT)	NS	PF-PT20RR	Tubing (Valve to Pilot) 20" RR
6	PF-VLVRRL	Valve RR Model(LP)	NS	PF-PT24RR	Tubing (Valve to Pilot) 24" RR
7	PF-VBRR	Valve Bracket RR Model	NS	PF-PT30RR	Tubing (Valve to Pilot) 30" RR
8	ODS-NG	ODS Pilot Nat	NS	DC	Damper Clamp
8	ODS-PL	ODS Pilot LP	NS	BLK-CIN-8#	Lava Rock
NS	ODS-REG-LP	ODS Pilot Regulator LP	NS	PF-EMB20	Glowing Embers 20"
NS	ODS-REG-NAT	ODS Pilot Regulator NAT	NS	PF-EMB24	Glowing Embers 24"
NS	RV20NG	Inlet Regulator NAT	NS	PF-EMB30	Glowing Embers 30"
NS	RV20LP	Inlet Regulator LP	NS	AC	Aluminum Connector
NS	PF-IGW20	Ignitor Wire 20"	NS	BRS-ELBOW	Gas Connection Elbow
NS	PF-IGW24	Ignitor Wire 24"			
NS	PF-IGW30	Ignitor Wire 30"			

(NS- "Not Shown")

HOW TO ORDER REPAIR PARTS

Parts can be ordered only through your service person or dealer. For best results, the service person or dealer should order parts through the distributor. Parts can be shipped directly to their service person/dealer.

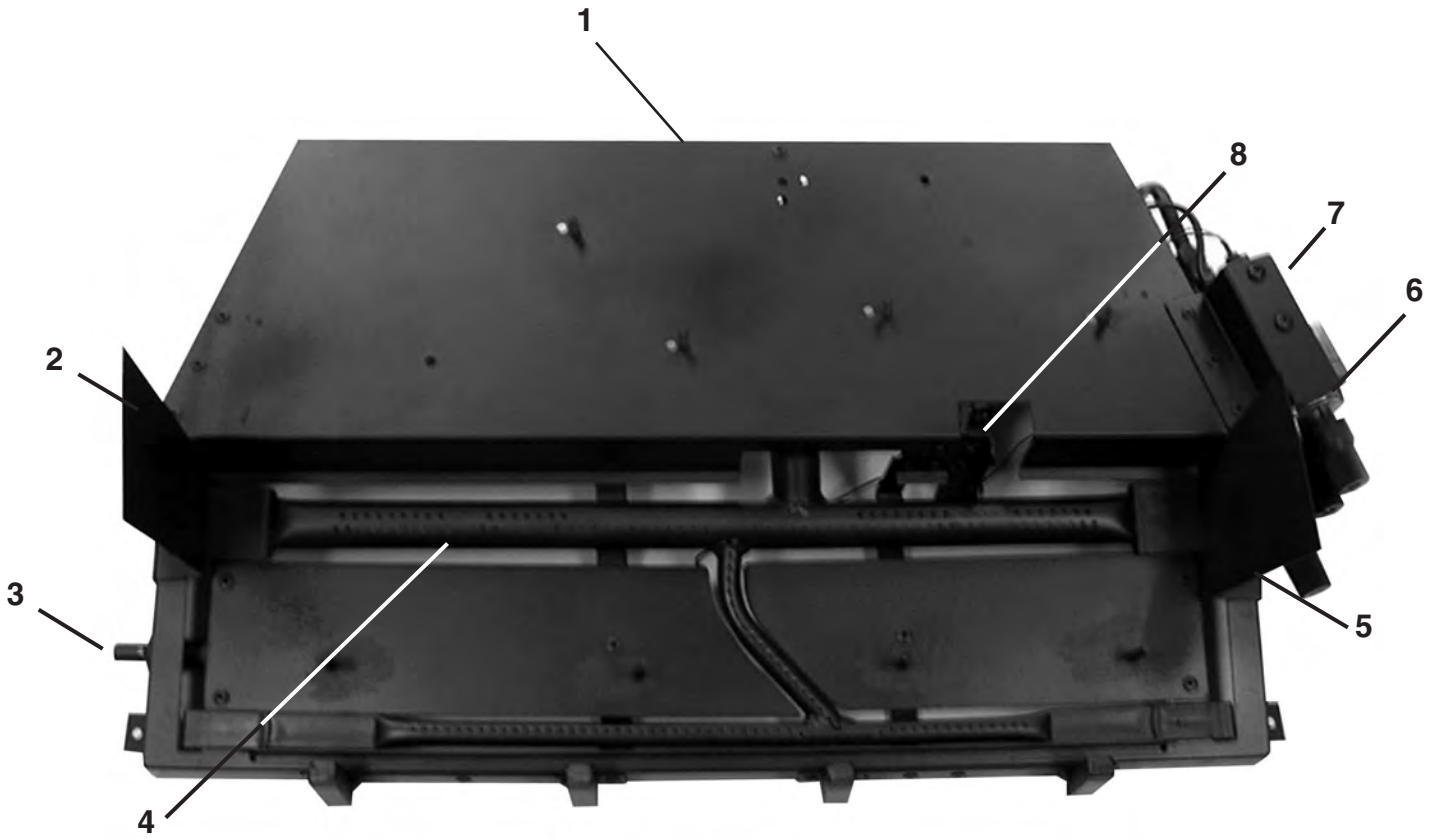
All parts listed in the Parts List have a Part Number. When ordering parts, first obtain the Model Number from the name plate on your equipment. Then determine the Part Number (not the Index Number) and the description of each part from the following appropriate illustration and list. Be sure to give all this information.

Appliance Model Number _____ Part Description _____

Appliance Serial Number _____ Part Number _____

Type of Gas (Propane or Natural) _____

PARTS VIEW



LIMITED WARRANTY

Golden Blount Gas Logs are warranted against defective materials and/or workmanship for as long as you own them. Burner Assembly is guaranteed for five years from date of purchase. ODS Pilot Assembly and valve are covered for one year.

This warranty does not cover parts subjected to misuse, abuse, improper handling or improper installation. The GB warranty specifically excludes any liability for indirect, incidental or consequential damage to property.

Defective logs or defective parts should be returned to your dealer or to the factory prepaid with a copy of your sales receipt. Defective parts will be repaired or replaced at the factory's option and returned to you prepaid.



GOLDEN BLOUNT INC. - 4301 WESTGROVE DRIVE - ADDISON, TX 75001